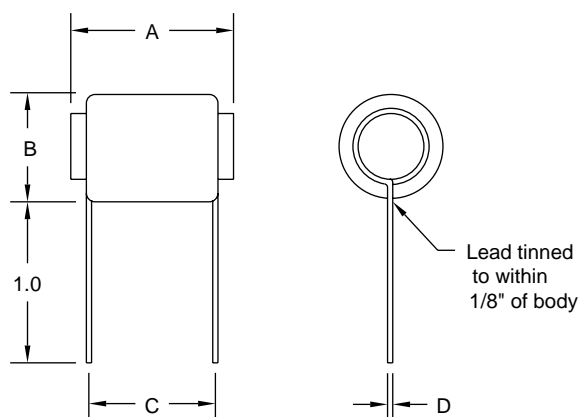


High Current RF Chokes

Special Features

- Very high current capacity
- Low DCR
- Ferrite core
- VW-1 rated shrink tubing to cover winding
- Fixed lead spacing
- Operating temperature -55 to +105°C
- Current to cause 5% maximum inductance drop or 35°C maximum temperature rise



5500 Series							
Part Number	L (uH) ±10% @ 1KHz	DCR (Ω) Max.	I, DC (A)	Dim. A Max.	Dim. B Max.	Dim. C ±.06	Dim. D ±.005
5501	5	0.013	10	0.88	0.63	0.50	0.042
5502	10	0.017	9	1.12	0.63	0.50	0.042
5503	27	0.030	7	0.88	0.81	0.44	0.042
5504	50	0.045	5.6	0.88	0.81	0.44	0.042
5505	100	0.061	4.9	1.12	0.81	0.94	0.042
5506	150	0.069	4.6	1.38	0.81	1.06	0.042
5507	250	0.089	4	1.62	0.81	1.31	0.042
5508	5	0.009	14	0.88	0.64	0.75	0.053
5509	10	0.012	12	1.12	0.64	1.00	0.053
5510	27	0.022	9	0.88	0.88	0.56	0.053
5511	50	0.028	8	1.12	0.88	0.75	0.053
5512	68	0.034	7.3	1.12	0.88	0.88	0.053
5513	100	0.038	6.8	1.38	0.88	1.00	0.053
5514	150	0.046	6.3	1.62	0.88	1.25	0.053
5515	5	0.006	19	1.12	0.69	0.81	0.065
5516	10	0.008	16	1.38	0.69	1.22	0.065
5517	27	0.014	12.5	1.12	0.94	0.69	0.065
5518	50	0.020	10.5	1.38	0.94	0.94	0.065
5519	68	0.023	10	1.38	0.94	1.12	0.065
5520	100	0.027	10	1.62	0.94	1.31	0.065
5521	5	0.004	23	1.38	0.72	0.94	0.082
5522	10	0.006	20	1.69	0.72	1.50	0.082
5523	27	0.010	15	1.38	1.00	0.94	0.082
5524	50	0.013	15	1.62	1.00	1.12	0.082

J.W. Miller
M A G N E T I C S

306 E. Alondra Blvd., Gardena, CA 90247-1059 • (310) 515-1720 • FAX (310) 515-1962

www.jwmiller.com